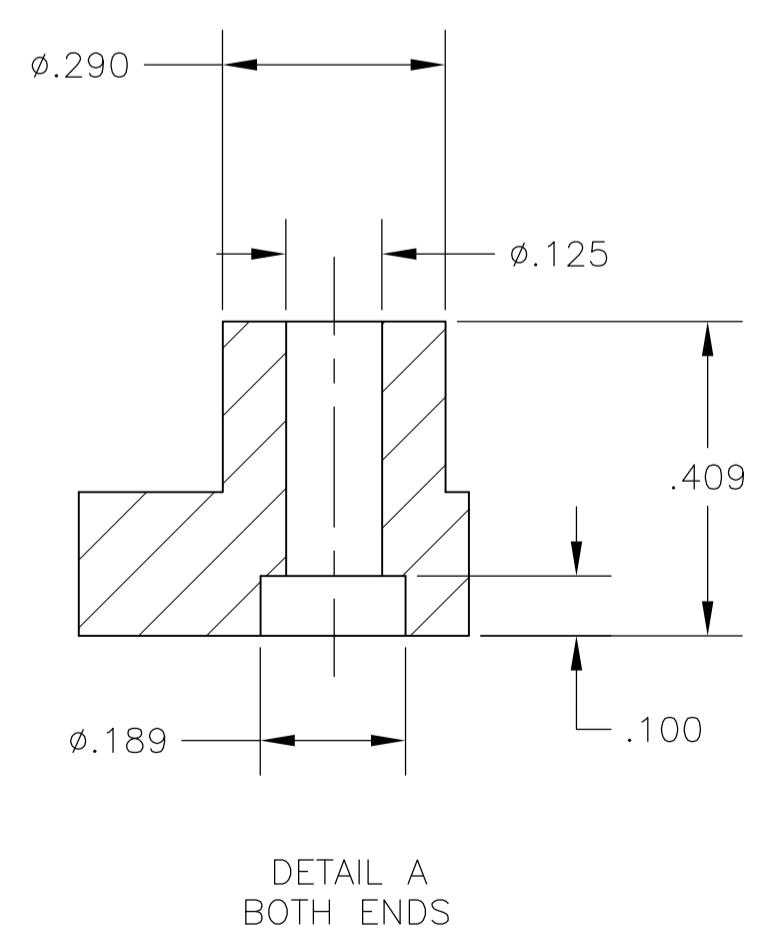
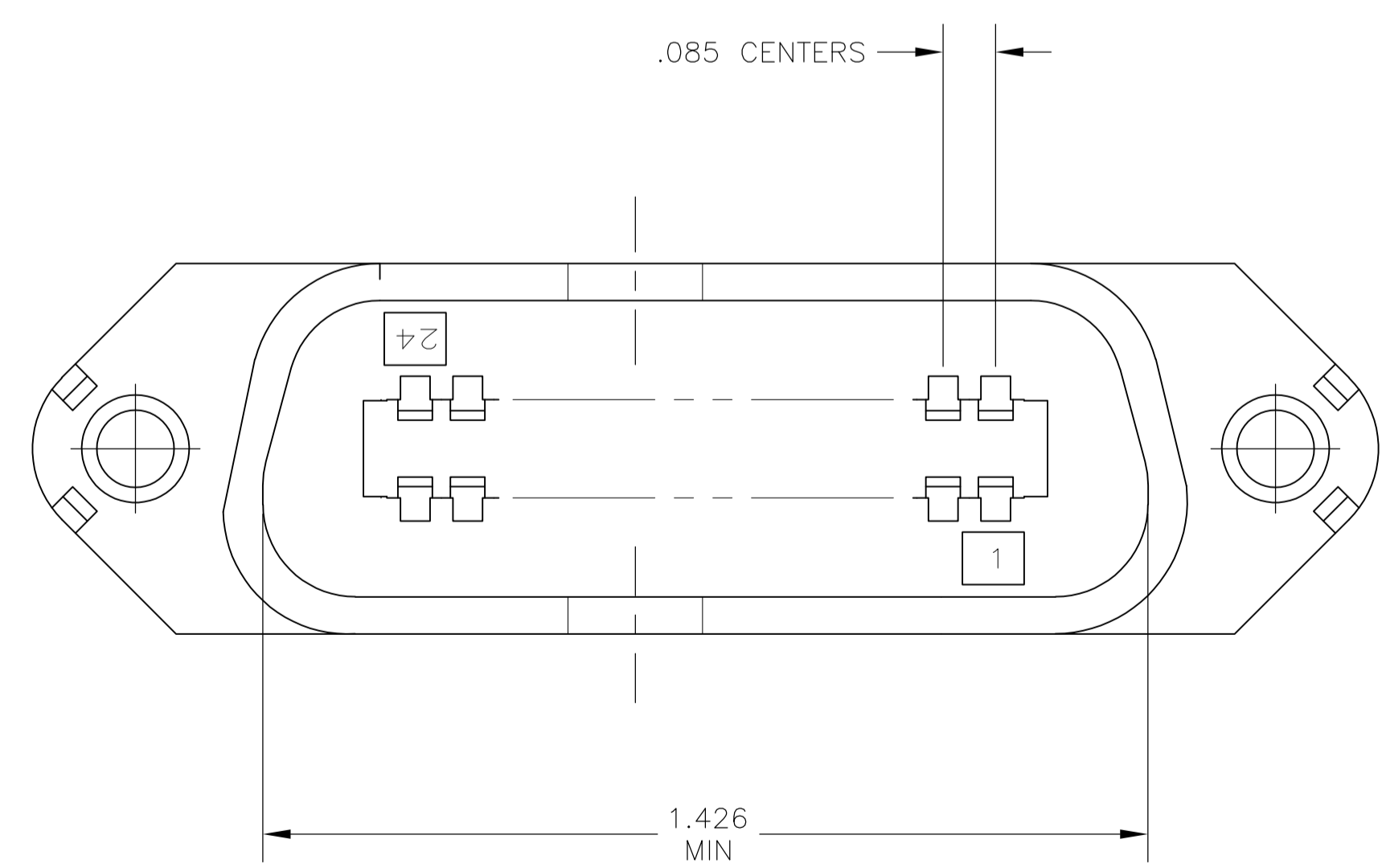
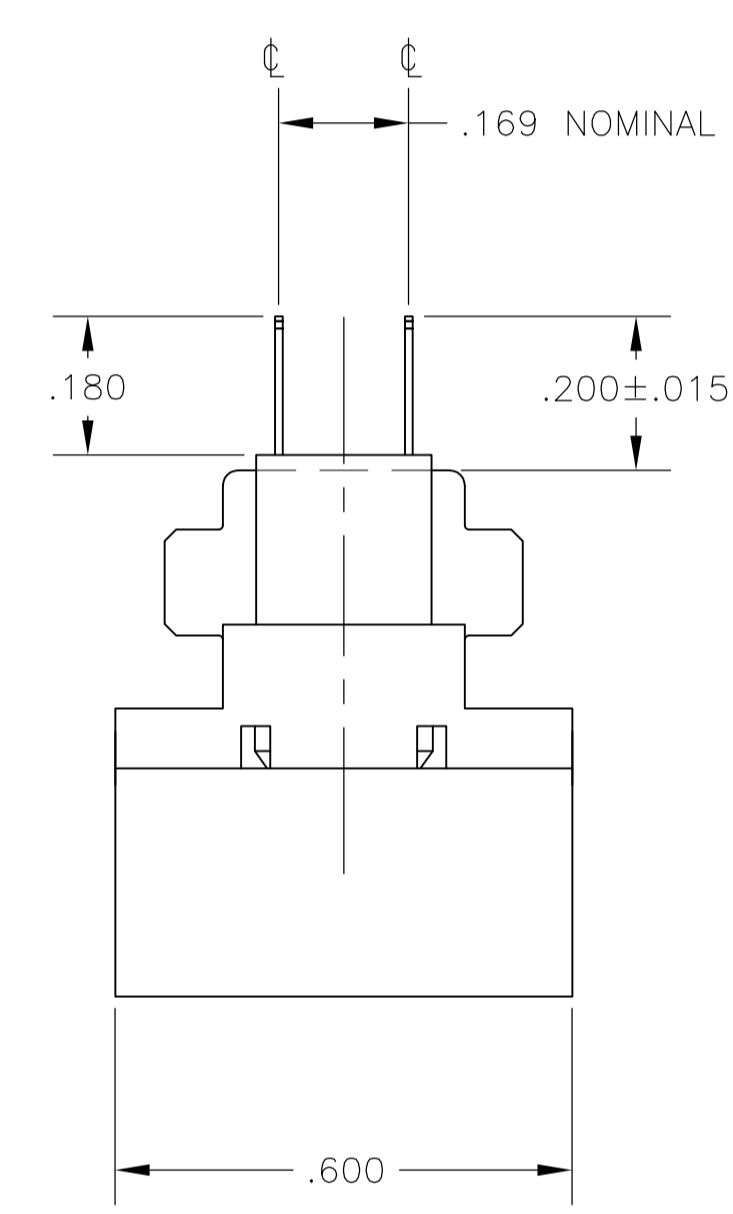
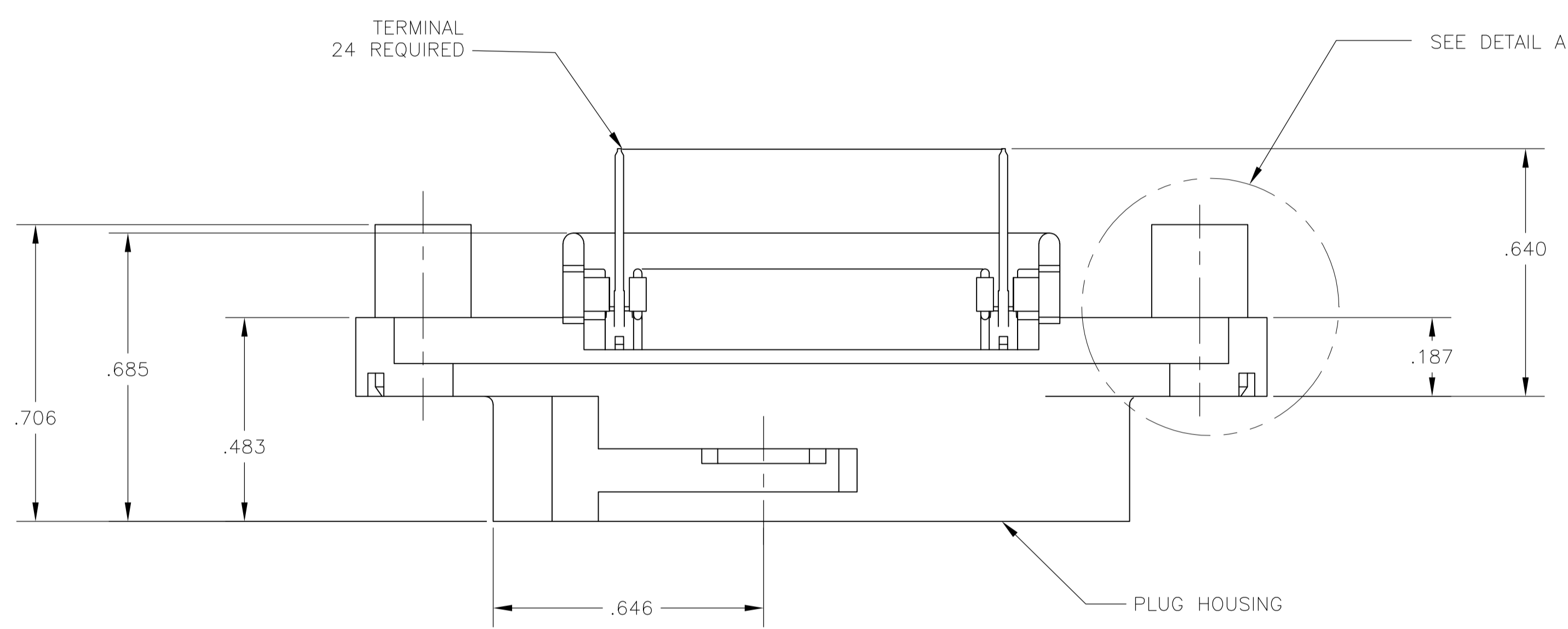
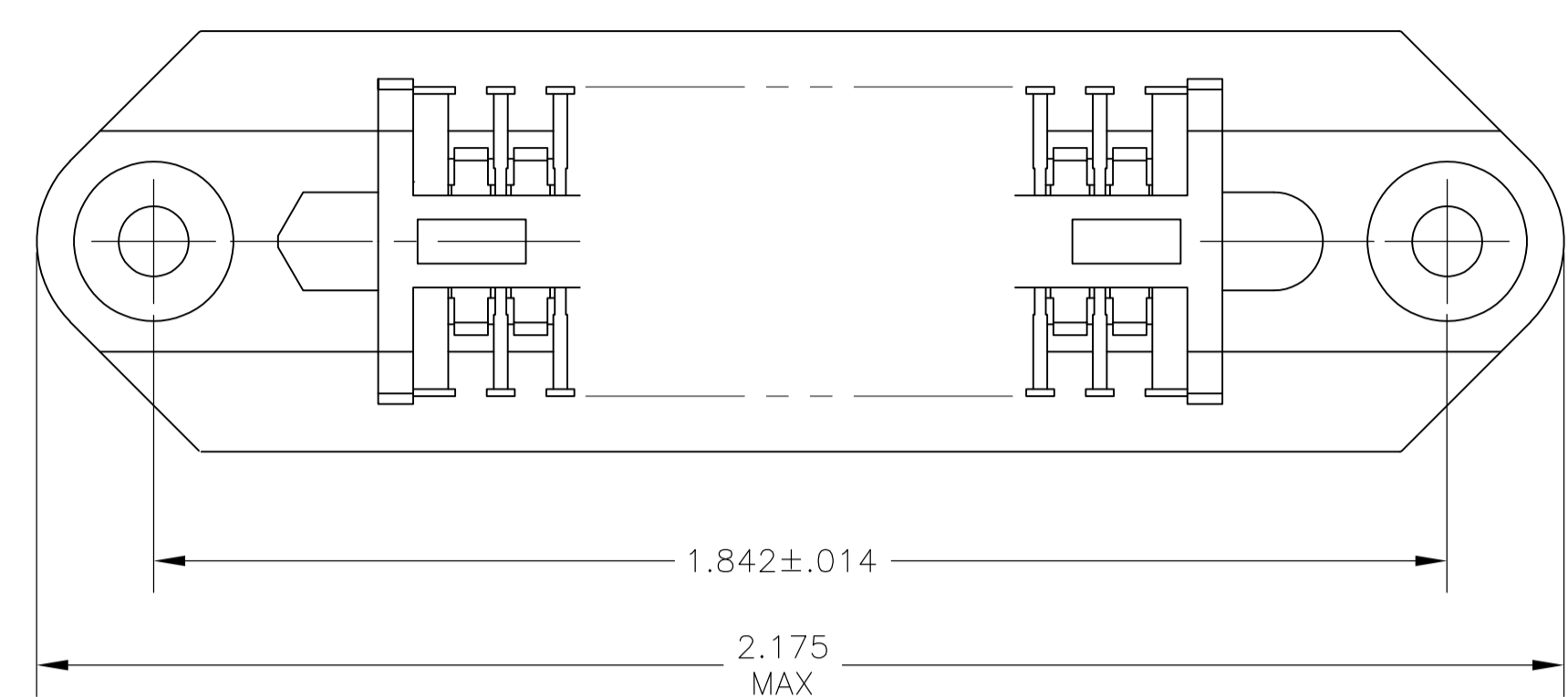


LOC		DIST		REVISIONS			
GP	00	REV	DATE	BY	CHK	APP	
B		REVISED PER ECO-08-007327	22JUL08	BM	WM		



1. THE CONTACT SURFACES OF THE TERMINALS ARE COATED WITH LUBRICANT.
2. ALL DIMENSIONS SHOWN ARE FOR REFERENCE ONLY UNLESS OTHERWISE SPECIFIED.
3. MATERIAL: HOUSING - THERMOPLASTIC, BLACK.
 TERMINAL - PHOS BRONZE PLATED WITH EITHER .000030 MINIMUM GOLD PLATE OR GOLD FLASH OVER PALLADIUM NICKEL PLATE, .000030 MINIMUM TOTAL ON MATING SURFACE. .000120 MINIMUM TIN PLATE ON TAILS OVER .000050 MINIMUM NICKEL UNDERPLATE OVER ENTIRE TERMINAL.

5552221-1
PART NUMBER

THIS DRAWING IS A CONTROLLED DOCUMENT.		DWG: B. LATTUCA 17AUG05	Tyco Electronics Corporation Harrisburg, PA 17105-3608	
DIMENSIONS: INCHES		CHK: W. MILLHIMES 17AUG05	NAME: PLUG ASSY, 24 POSN, VERT MTG, CHAMP-LOK WITH STANDOFFS	
TOLERANCES UNLESS OTHERWISE SPECIFIED:		APP'D: M. WALMSLEY 17AUG05	APPLICATION SPEC: -	
0. PLC ± -	1. PLC ± -	SIZE: A1		
2. PLC ± -	3. PLC ± -	CAGE CODE: 00779		
4. PLC ± -	ANGLES ± -	DRAWING NO: 5552221		
MATERIAL: 3	FINISH: 3	WEIGHT: -		
CUSTOMER DRAWING		SCALE: 4:1 SHEET 1 OF 1 REV B		